

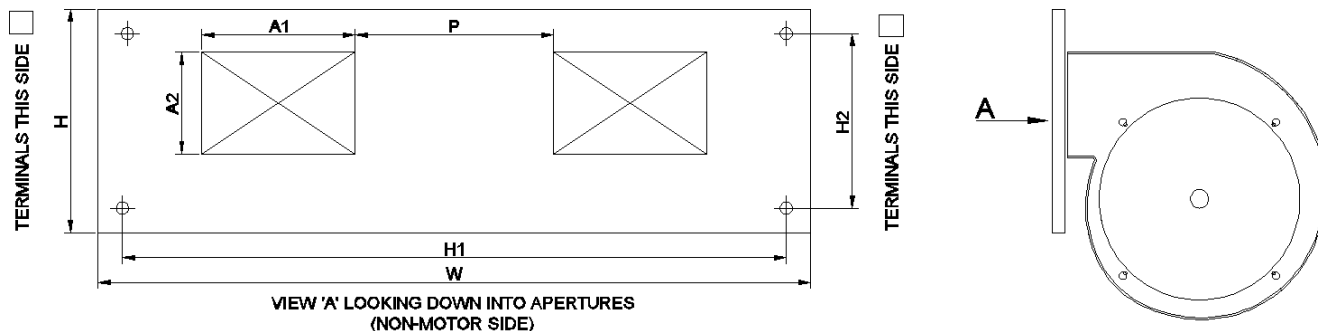
SCR Blower Details Request

Please complete both parts with as much detail as possible:

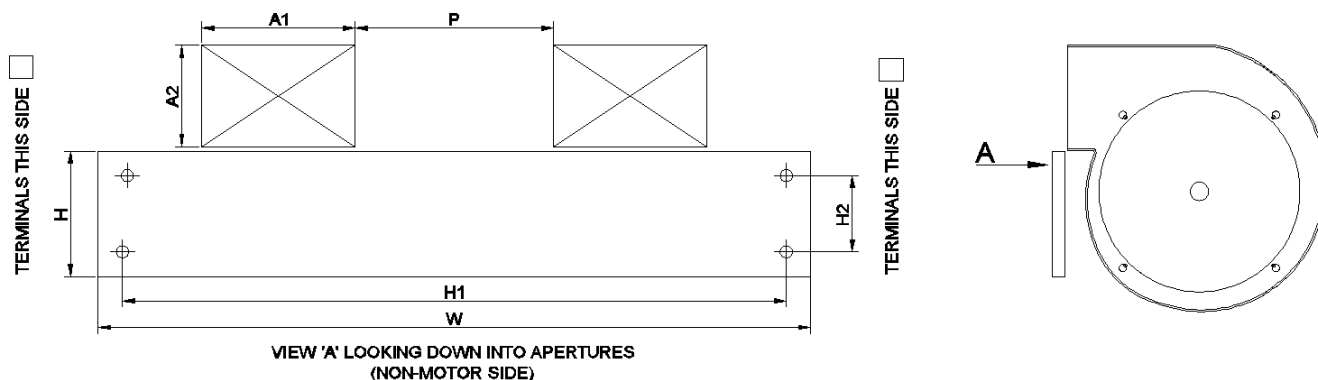
Part 1: Dimensions

- 1) On the plan layouts, please tick the side where the wiring terminals appear.
- 2) On the table below, indicate the style of blower you have, and detail the dimensions of the mounting plate and blower apertures.
- 3) Please include photographs if possible.

Style 1



Style 2



STYLE	W	H	H1	H2	A1	A2	P

Part 2: Motor Data

Please complete the following from the motor nameplate data:

Manufacturer			Model		
Frame					
Voltage	V	No Phases		Frequency	
Motor Speed	RPM				
Motor HP	HP	OR Motor KW		KW	OR Motor FLA
					A

Document	SCR Blower Details Request			<p>Zeefax Limited Zeefax House, 320 King Street, LONDON, W6 0RR Tel : +44 (0) 20 8748 7808 Fax: +44 (0) 20 8748 7188 Web site: http://www.zeefax.com</p>
Rev	1			
Sheet	1	of	1	